

# ASSEMBLY INSTRUCTIONS

**⚠ READ ALL SAFETY WARNINGS & INSTRUCTIONS CAREFULLY  
BEFORE ASSEMBLING AND OPERATING YOUR SMOKER.**

FOR COVERS, ACCESSORIES AND OTHER PRODUCTS, PLEASE VISIT US ONLINE AT:  
[www.brinkmann.net](http://www.brinkmann.net)

**FOR MISSING PARTS, PLEASE CALL CUSTOMER SERVICE AT 800-527-0717.**

*(Proof of purchase will be required.)*

*Inspect contents of the box to ensure all parts are included and undamaged.*

We recommend two people work together when assembling this unit.

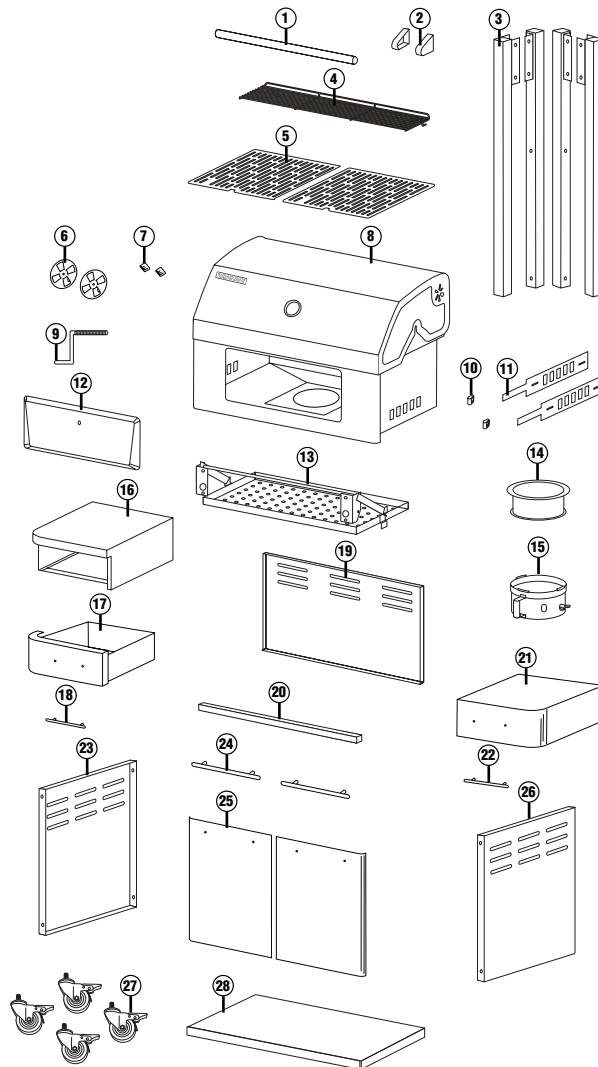
The estimated time of assembly for this grill is approximately 30 minutes.

The following tools are required to assemble this Professional Grill:

- Pliers
- Phillips & Flathead Screwdrivers
- Adjustable Wrench

**PARTS LIST - PROFESSIONAL GRILL:**

- ① 1 Handle
- ② 2 Handle supports
- ③ 4 Legs
- ④ 1 Warming rack
- ⑤ 2 Cooking grills
- ⑥ 2 Air vents
- ⑦ 2 Air vent handles
- ⑧ 1 Grill body
- ⑨ 1 Crank
- ⑩ 2 Air shutter handles
- ⑪ 2 Air shutters
- ⑫ 1 Grill door
- ⑬ 1 Charcoal grate assembly
- ⑭ 1 Ash pan collar
- ⑮ 1 Ash pan
- ⑯ 1 Left side table
- ⑰ 1 Left side drawer
- ⑱ 1 Left side drawer handle
- ⑲ 1 Rear panel
- ⑳ 1 Door frame bracket
- ㉑ 1 Right side table
- ㉒ 1 Right side towel rack
- ㉓ 1 Left side panel
- ㉔ 2 Door handles
- ㉕ 2 Doors
- ㉖ 1 Right side panel
- ㉗ 4 Locking casters
- ㉘ 1 Bottom panel



## Parts Bag Contents

- ① 1 10 X 8mm hexagonal nut
- ② 1 Door locking plate
- ③ 1 Door handle
- ④ 4 M6 X 50 mm Bolts
- ⑤ 23 M5 X 10 mm Bolts
- ⑥ 1 M10 Locking Washer
- ⑦ 1 M10 Washer
- ⑧ 8 M5 Self-Locking Nuts
- ⑨ 4 M6 Nuts
- ⑩ 8 M5 Spring Washers
- ⑪ 8 M5 Washers
- ⑫ 4 M6 Washers
- ⑬ 28 M6 X 15 mm Bolts
- ⑭ 1 Screwdriver
- ⑮ 1 Hex Nut Wrench

